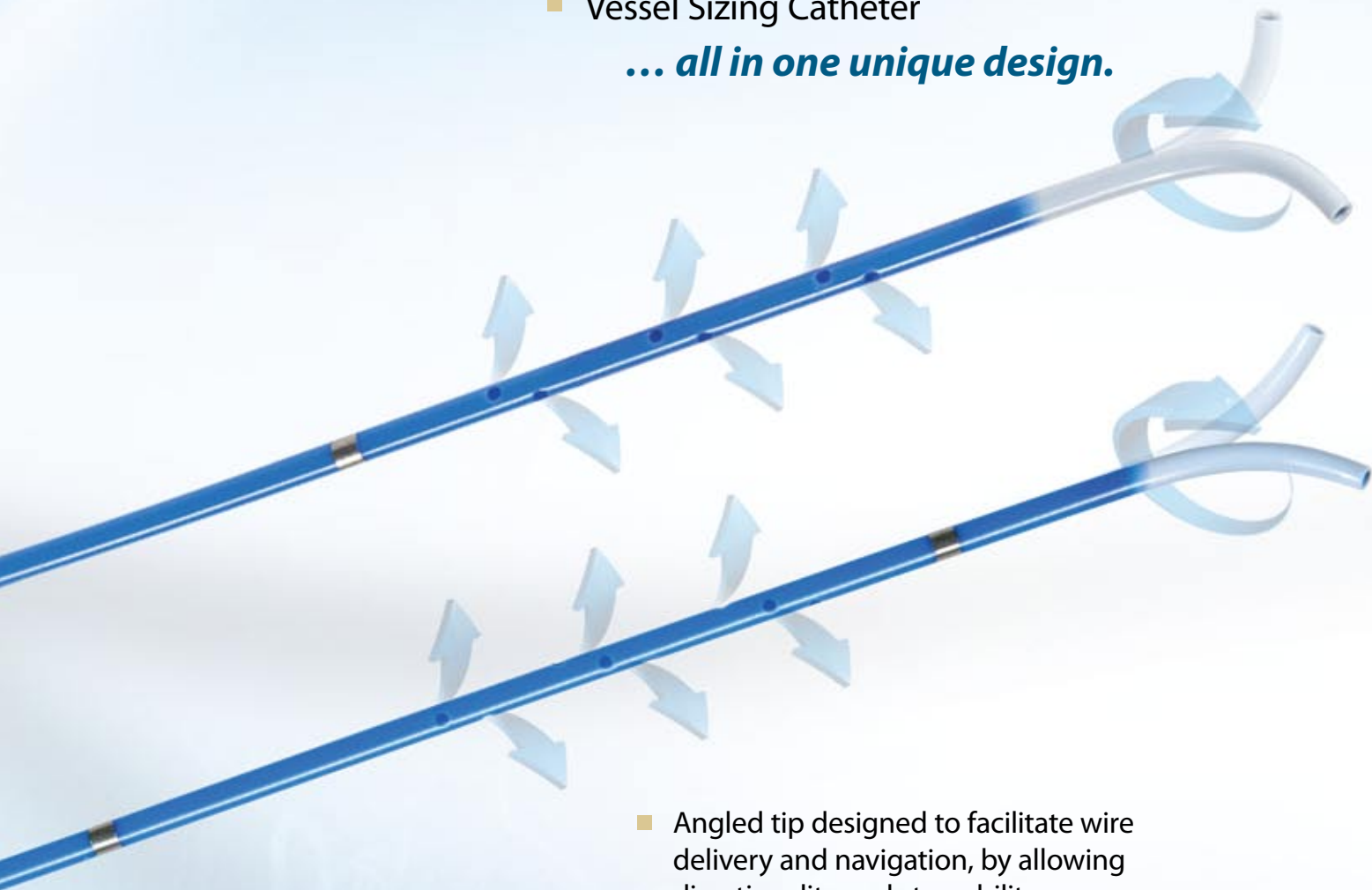


Trespass™

Angiographic Catheter

- Flush Catheter
 - Directional Angled Tip Catheter
 - Vessel Sizing Catheter

... all in one unique design.



- Angled tip designed to facilitate wire delivery and navigation, by allowing directionality and steerability
- 10 sideholes for standard flush injections
- Available with 12 or 13 radiopaque marker bands for accurate anatomical measurement

Trespass™

Angiographic Catheter

The Trespass Angiographic Catheter is designed to be used for delivering radiopaque media to selected sites in the vascular system and for anatomical measurements in conjunction with routine diagnostic procedures.



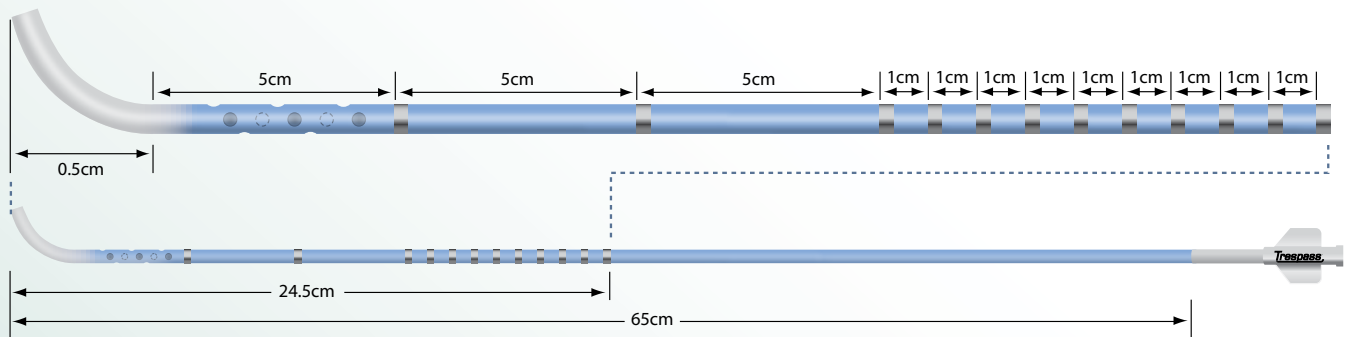
Model	O.D.	Length	Guidewire	Flow rate ¹	Pressure Rating ²	Sideholes	Radiopaque Marker Bands	Box Quantity ³
5750	5F	65cm	0.035"	35ml/sec	1200psi (8274kPa)	10	12	5
5751	5F	65cm	0.035"	35ml/sec	1200psi (8274kPa)	10	13	5
5752	5F	100cm	0.035"	27ml/sec	1200psi (8274kPa)	10	13	5

¹Flow rates achieved at approximately 10.4cp. Actual results may vary.

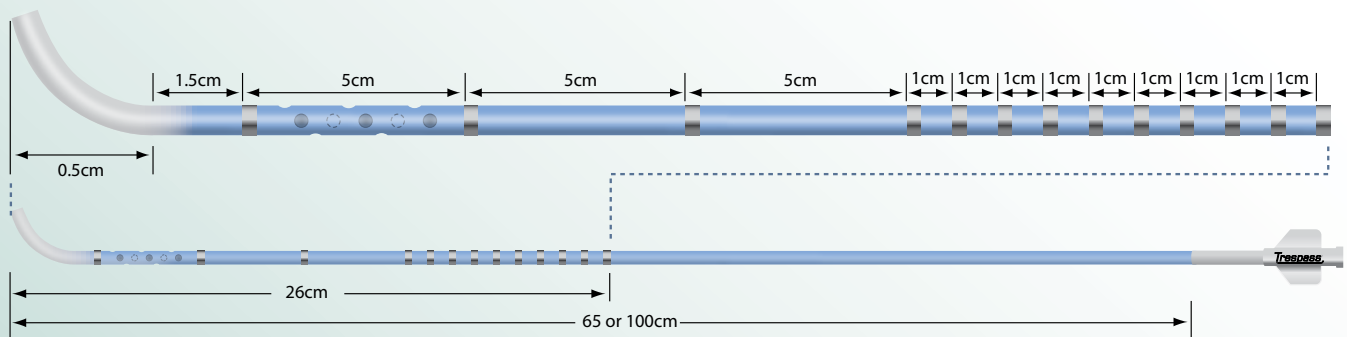
²Maximum pressure rating.

³Individual units are not sold separately.

Model 5750 — 12 Radiopaque Marker Bands



Model 5751 & 5752 — 13 Radiopaque Marker Bands



CAUTION: Federal law (U.S.A.) restricts this device to sale by or on the order of a physician. Please see the Instructions for Use for a complete listing of the indications, contraindications, warnings and precautions.

Trespass is a trademark of Vascular Solutions, Inc.

©2010 Vascular Solutions, Inc. All rights reserved.
ML2094 Rev. B 01/10



Vascular Solutions, Inc.
6464 Sycamore Court
Minneapolis, Minnesota 55369
Customer Service: 888.240.6001
www.vascularsolutions.com